



Gas



Liquid & Slurry



Solid & Powder



Steam & Water

SENTRY W9000 SERIES

Sample Coolers

SAMPLE CONDITIONING

The Sentry® W9000 Series sample coolers are designed for small volume hot water samples. The efficient counterflow design provides cooling for samples up to 750°F (399°C) and 3500 psig (241.3 barg), and the simplicity provides maximum cooling at minimal cost.

MODELS

W9000 | W9050

BENEFITS

With a compact design, simple installation and high quality materials, the W9000 Series sample coolers are the best low capacity option for small volume hot water samplers of water or other liquids.

FEATURES

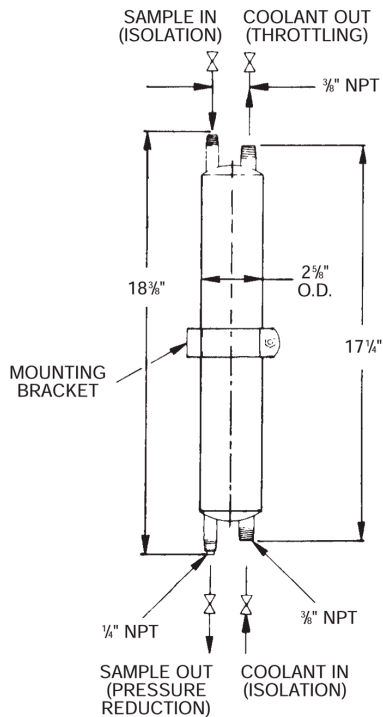
- All wetted parts are made of stainless steel to resist corrosion and ensure years of service at 100% duty cycle; Inconel coil model available for greater corrosion resistance
- Forced counterflow ensures maximum thermal efficiency
- Simple installation with convenient mounting bracket provided
- Compact design provides for maximum heat transfer in a minimal space: only 17-1/4 in. high x 2-5/8 in. O.D.
- All-welded design assures gasket leaks are eliminated



Sample. Monitor. Measure.

SENTRY

Any Application. Anywhere.



Performance Data (Approach Temperatures in °F)
approach temp + cooling water inlet temp = final sample temp

FLOW RATE CC/MIN	SAMPLE TEMPERATURE °F			SAMPLE PRESSURE DROP PSI
	300	500	700	
400	1	2	5	3
500	2	3	6	4
600	3	5	10	6
800	5	14	32	10

APPROACH TEMPERATURE °F

Typical performance data based on maximum cooling water of 3 gpm

SPECIFICATIONS

design pressure	coil: 3500 psi (241.3 bar) shell: 300 psi (20.7 bar)
design temperature	coil: 750°F (399°C) shell: 250°F (121°C)
material	coil: 316 stainless steel (W9000); Alloy 625 (W9050) shell: stainless steel
heat transfer surface	1.0 ft² (.09 m²)
weight	5 lb (2.3 kg)

sentry-equip.com

966 Blue Ribbon Circle North, Oconomowoc, WI 53066 U.S.A. | +1-262-567-7256 | sales@sentry-equip.com

© 2018 Sentry Equipment Corp. All rights reserved. All product and company names are property of their respective owners. It is solely the responsibility of end users, through their own testing and analysis, to select products and materials suitable for their specific application requirements, ensure they are properly installed, safely applied and properly maintained, and to limit their use to their intended purpose. Improper selection, installation or use may result in personal injury or property damage.

S-SW-SPS-00014-4 06-18



COMPANY WITH
 QUALITY SYSTEM
 CERTIFIED BY DNV GL
 = ISO 9001 =