



Gas



Liquid & Slurry



Solid & Powder



Steam & Water

SENTRY MIL SAMPLER

Low Emission Samplers

MANUAL SAMPLING

The Sentry® MIL manual low emission sampler is ideal for sampling liquids in-line in refining, chemical, petrochemical and nuclear applications without exposure to the operator. The sampler's unique features include a close-coupled ball valve specifically designed to provide low dead volume in the sample flow area, ensuring representative samples from flowing process lines at pressures up to 2200 psig (150 barg). Additionally, the pressure drop of the flowing fluid through the sampler is low, and no valve stems or other components pass through the sampling stream.

For nuclear applications, the Sentry MIL sampler normally is used to collect primary side (RCS) samples for laboratory analysis. However, it also can be used to collect samples on secondary side (PWR) or turbine building side (BWR).

MODEL

MIL

BENEFITS

In-line sampling techniques are most applicable where speed loops or other pressure reduction techniques are not viable.

The Sentry MIL sampler features a patented side-discharge dual needle assembly that ensures septum integrity and full venting of process vapors. This non-coring needle punctures the septum without coring it, allowing for full resealing of the septum when the sample bottle is removed. The tapered bottle shroud enables proper septum and needle alignment, preventing accidental spillage or needle breakage.

A variety of needle arrangements and sample bottle sizes are available to meet most sampling requirements. Additionally, a tube stub option is available for high viscosity fluids or slurries that contain particulates.

Since operator safety is of the highest concern, the sampling valve interface features an adjustable throttle stop and spring-loaded (dead man's) shut-off handle. This provides proper sample control and quick closure upon release of the sampling valve.

A sample purge connection is an optional feature that allows the user to clear any remaining sample from the unit after sampling. The purge process can be as simple as a check valve and air puff bulb or regulated compressed air/nitrogen.

FEATURES

- Close-coupled sampling valve for high-pressure, low dead volume in-line sampling
- Needle or tube stub configurations offered in a variety of sizes
- Spring-loaded dead man's valve
- Variety of end connections and bottle options available to meet various application needs
- Optional enclosure for complete containment
- Pitot tube design for line sizes 1.5 inches and larger

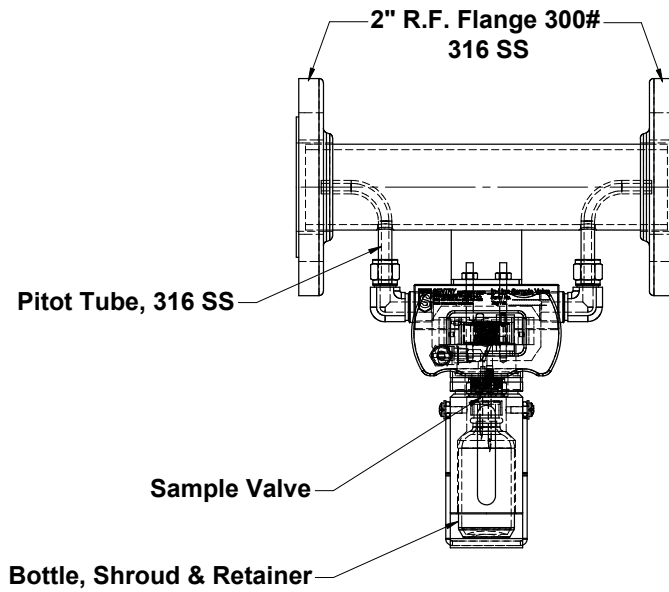


Sample. Monitor. Measure.



SENTRY

Any Application. Anywhere.



NOTE:

Pitot tube design shown above. Pitot tubes are provided for line sizes 1.5 inches and above.

SPECIFICATIONS

wetted materials	body: 316 stainless steel O-rings: Viton® or Kalrez® ball valve seats: PTFE-Teflon® for non-nuclear use only; PEEK (polyetheretherketone) for nuclear use		
bottle shroud	nylon		
standard pressure ratings	2200 psi max at 100°F (150 bar at 38°C); 450°F max at 100 psi (232°C at 7 bar) flange end connections have lower ratings; contact us		
sample valve	close coupled ball valve with spring return handle and adjustable throttling stop		
purge connection	1/8 in compression (shipped with cap)		
sampler size	size	connection type	
	1/4 in (6 mm)	comp	
	3/8 in (10 mm)	comp	
	1/2 in (15 mm)	NPT, flange, or comp	
	3/4 in (20 mm)	flange or comp	
	1 in (25 mm)	flange or comp	
	1-1/2 in (38 mm)	flange	
sampler interface	needle assembly (OD)*		bottle size and type
	process	vent	Boston round
	0.065 in	0.065 in	2 oz (60 ml)
	0.065 in	0.083 in	4 oz (125 ml)
	0.083 in	0.083 in	8 oz (250 ml)
	0.110 in	0.083 in	16 oz (500 ml)
	0.083 in	0.110 in	32 oz (1000 ml)
	tube stub assembly (OD)		Schott
	process	vent	50 ml
	0.188 in	0.140 in	100 ml
			250 ml
			500 ml
			2000 ml

Boston Round bottle cap/thread interfaces per GPI finish standards. Schott/Duran bottle cap/thread interfaces per ISO 4796. Standard septum material is Teflon-coated silicone. Other bottle or septum arrangements are available.

*other needle/tube stub arrangements available

sentry-equip.com

966 Blue Ribbon Circle North, Oconomowoc, WI 53066 U.S.A. | +1-262-567-7256 | sales@sentry-equip.com

© 2016 Sentry Equipment Corp. All rights reserved. Sentry is a registered trademark of Sentry Equipment Corp. Viton and Teflon are registered trademarks of The Chemours Company. Kalrez is a registered trademark of E.I. du Pont de Nemours and Company. It is solely the responsibility of end users, through their own testing and analysis, to select products and materials suitable for their specific application requirements, ensure they are properly installed, safely applied and properly maintained, and to limit their use to their intended purpose. Improper selection, installation or use may result in personal injury or property damage.

S-LS-SPS-00180-12 12-16



COMPANY WITH
QUALITY SYSTEM
CERTIFIED BY DNV GL
= ISO 9001 =